

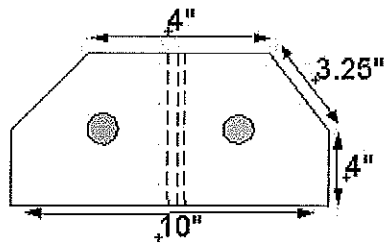
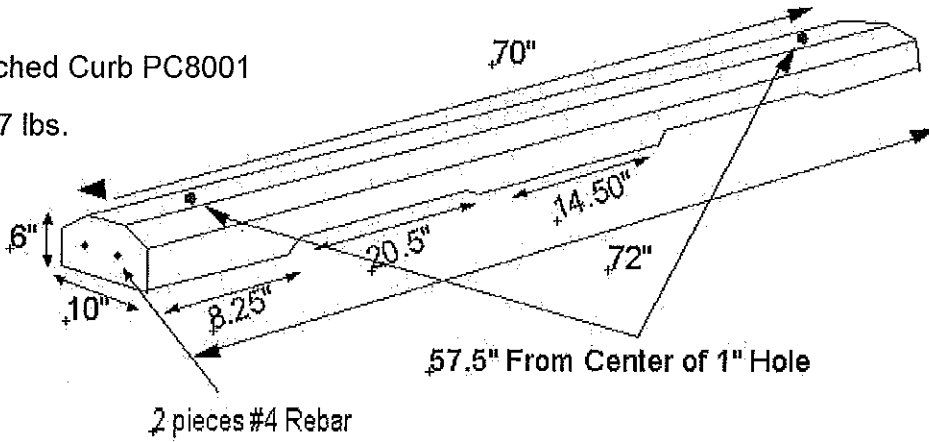
Parking Curb

4000 psi @ 28 days



Arched Curb PC8001

267 lbs.



Flat Curb PC8002

235 lbs.

